

# **MB-8823**

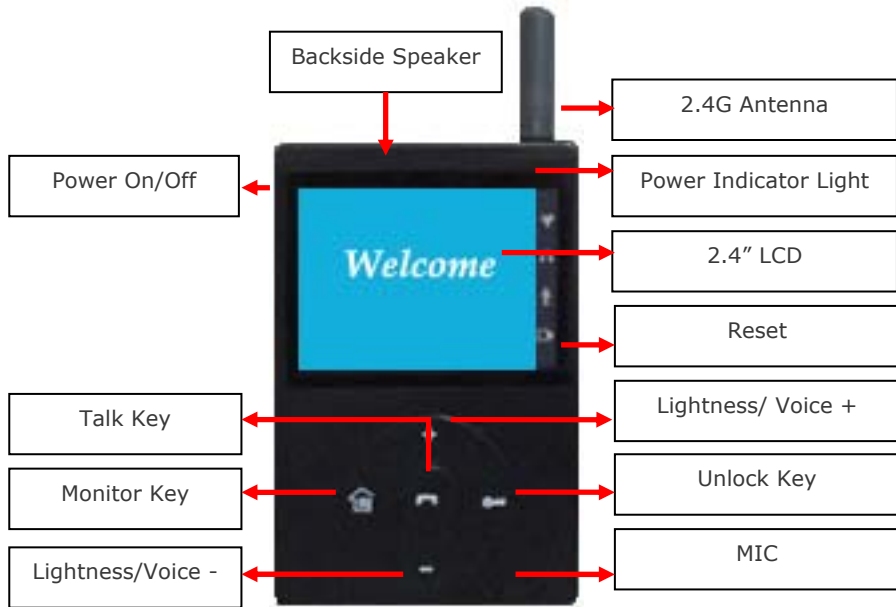
## **Wireless Video Door Phone**

User Manual

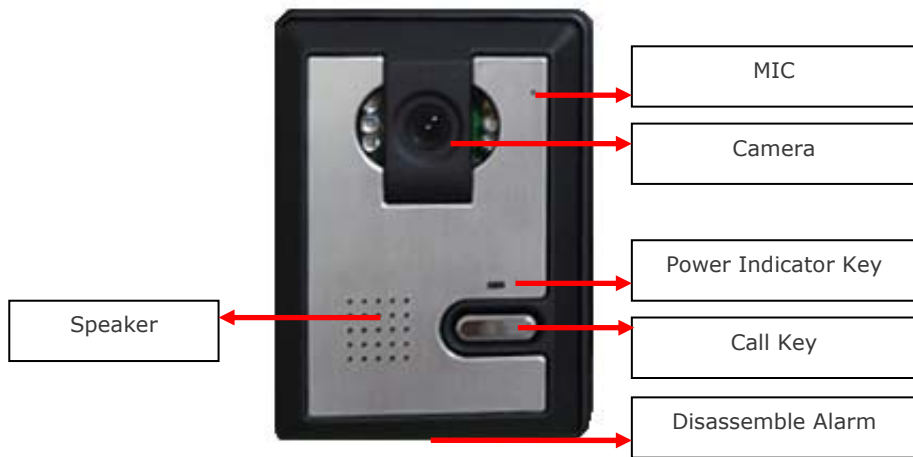


# MB-8823 Wireless Video Door Phone

## INDOOR MONITOR



## OUTDOOR CAMERA



## MB-8823 Wireless Video Door Phone

### FUNCTION FEATURES

1. World Public Frequency 2.4G data Voice/ image transmission
2. Full-duplex hands-free voice call, voice loud and clear
3. Visiting key wake up call, standby power-saving sleep
4. 83 effective communication channels, conversation can be stable in any environment
5. Improved frequency-hopping technology, super error-correcting and anti-jamming capability
6. Consistent with national certification standards CE, CCC, FCC, R&NTTE
7. Ultra short built-in antenna design, fashionable and attractive shape
8. Super-infrared night vision video surveillance capability
9. Other optional function: Automatic image storage, photo taken function

### FUNCTION INDEX

Power Supply: DC 5V (Indoor Monitor)/ DC 12V (Outdoor Camera)

Working Current: 200MA (Indoor Monitor)/ 220MA (Outdoor Camera)

SNR: Voice > 55dB

Working Temperature: -20°C to +70°C

Communication Distance: Open Land about 300m (Longer Distance set according customer's requirement)

Size: Outdoor camera: 12.5cm (L) x 9.3cm (W) x 3.5cm (H)

Indoor Monitor: 12.8cm (L) x 6.5cm (W) x 1.5cm (H)

Combination of 2 units Indoor Monitor and 3 units Outdoor Camera

### INSTRUCTION

#### Introduction Of Indoor Monitor

##### Power On:

Keep pressing the "ON/OFF" button about 3 seconds, In Upper-right corner of the indoor monitor, the power indicator becomes red, and then the screen will show "WELCOME", it will show the ID number in the Top-left corner in this screen, at the same time, sound "Di" two times, it will enter into Standby status after 2 seconds if without any operation

## MB-8823 Wireless Video Door Phone

### Power Off:

1. In standby status, Keep pressing "ON/OFF" button about 4 seconds, the LCD screen will show "GOODBYE", at the same time, sounds one "Di".
2. In sleeping status, keep pressing "ON/OFF" button about 4 seconds, the screen will light, and don't lose your finger about 2 seconds, LCD screen will show "Goodbye", at the same time, sound one "Di".

### Standby status:

After turn on the monitor, it will be in standby status, the monitor will enter into sleeping status if without any operation about 10 seconds. At the same time, the power indicator will light one time per 4 seconds.

### Wake up:

In sleeping mode,

1. Press "Talk key", it will enter into standby screen
2. Keep pressing "ON/OFF" about 3 seconds, the monitor will wake up and enter into standby screen.

### Monitor:

In standby status, the monitor will monitor by pressing "Monitor Key", and the screen will show "Monitoring" in the top-left corner.

1. Succeed to monitor: The monitor will show the video of outdoor camera if the monitor is succeed to build communication with outdoor camera
2. Failed to monitor: The monitor will sound one "Di" if the monitor is failed to build communication with outdoor camera, and then back into standby status & sleeping status

## MB-8823 Wireless Video Door Phone

Rational: Connect a external power DC 12V and a electro-mechanical lock, power negative pole and electro-mechanical lock negative pole connect to the outdoor camera power negative pole, Power positive wire connect to lock public port, electro-mechanical lock positive wire connect to power unlock port. When press "unlock" key on indoor monitor or operate outdoor manual unlock, then will achieve unlock function.

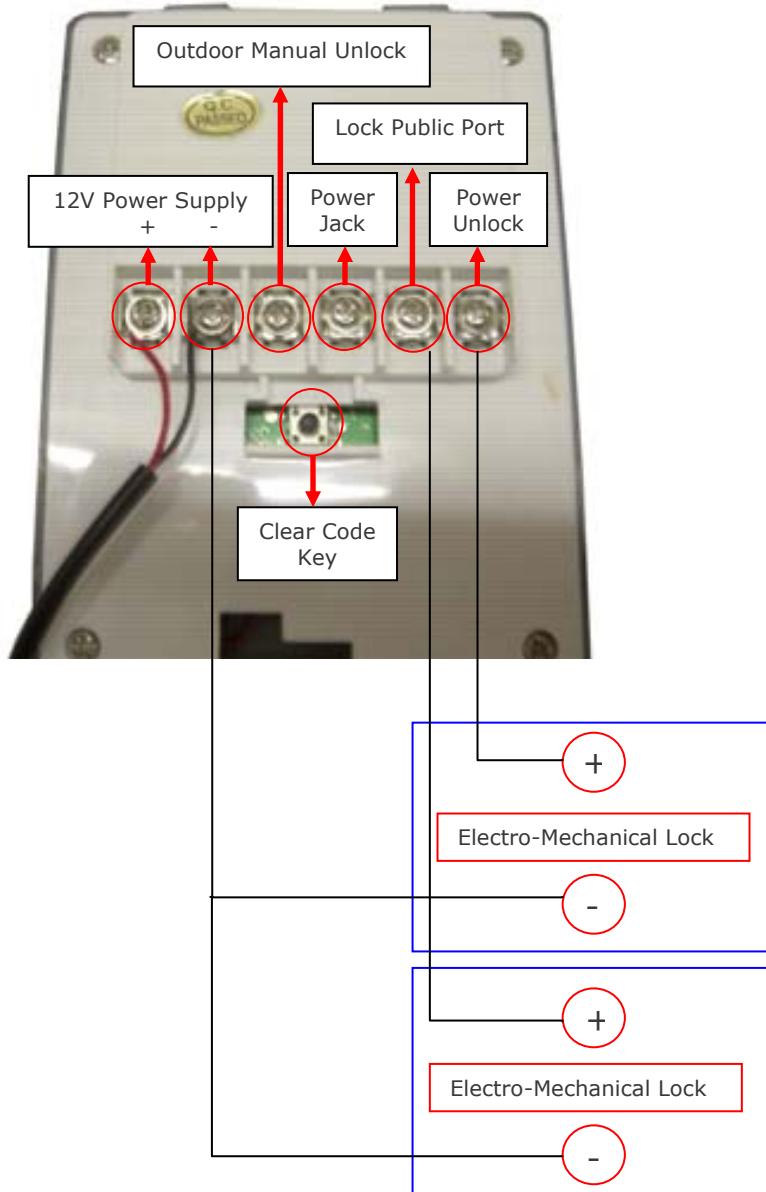
### ATTENTION

1. Outdoor camera should be installed on a solid, well-ventilated, air drying; there is no strong magnetic field and dust place.
2. Indoor monitor should be placed far away from the fire source.
3. If low-power display please electricity, to avoid affecting the normal telecommunication.
4. In door monitor can be in any case "RESET" shutdown.
5. The surface of the machine cannot use benzene, thinner or gasoline and other organic solvents such as cleaning. If dust stained use soft wool machine which diluted neutral detergent to clean, then wipe with a dry cloth.
6. Working temperature: -40°C ~ +70°C
7. Outdoor unit must use the DC12V/1A original charger.

### PACKING

Sales box size: 21.5cm (L) x 17cm (W) x 9.7cm (H)

Unlocking Wiring Diagram



Outdoor Camera Call Indoor Monitor:

If they are all in public frequency, they can communicate freely.

If they have been configured the code, at this time, they can communicate which have the same ID number. In standby status, press "Call Key" of outdoor camera to call the indoor monitor

1. Succeed to call: It will ring if the outdoor camera is succeed to call the indoor monitor, they can communicate just by pressing the "Talk Key" of indoor monitor
2. Failed to call: It will sound one "Di" if the outdoor camera is failed to call the indoor monitor, then back into standby status

Introduction of Menu:

In standby status, you can enter into menu options by press "Unlock Key", and move the Item by press "+" or "-"

Main Menu: "Setting", "Code", "Exit"

Setting: It contains two sub-menus as below:

- Own ID Number (Set ID Number)
- Security Password (Set Password)

Set ID Number:

1. Move to "Own ID Number", Press "Talk Key" to confirm, it will show the ID number of this operating monitor.
2. You can also adjust the ID number by press "+", "-", after this, press "Talk Key" to confirm, exit.

Set Password:

Select the "Security Password", as below:

Old Password: 0000  
 New Password: 0000

## MB-8823 Wireless Video Door Phone

Users can move the place of number by pressing "Unlock Key", Select different number by pressing "+", "-".After Password set is over, press "Unlock Key" to confirm, LCD screen show "Success". And then back into main menu.

PS:

### 1. Own ID Number

Set the ID number of indoor monitor, there are three ID numbers (1, 2, 3), In every intercom system, every indoor monitor can only have one ID number, for example, One set wireless video door phone (1 outdoor camera with 3 indoor monitor), they must be difference for the ID number of the three indoor monitors, if two indoor monitors have the same ID number, The outdoor camera can call indoor monitor, but they can't communicate between the indoor monitors.

### 2. Security Password

It is used to set the matching code.

Users have to input the code if they want to match code, this is in order to protect the basic function of video door phone. Ex-factory password: 0000, and super password, this super password is owned by manufacturer, it can be used when the users forget the code they are set.

### Configure Code

Step 1:

In standby status, enter into main menu options by press "Unlock Key"  
Select "Code", presses "Talk Key" to confirm, and then input Security Password:

Password: 0000 (Factory Default Password: 0000)

Sub-menu as below:

- Match Code
- Give Code
- Receive Code

## MB-8823 Wireless Video Door Phone

### INSTALLATION INSTRUCTION

Step 1: Remove the alarm screw, as shown



Step 2: Disassemble the outdoor camera, as shown



Step 3: Fix the undercover on the wall, as shown



Step 4: After fixing the undercover, assemble the machine again

Step 5: Fix the alarm screw again, as shown:



## MB-8823 Wireless Video Door Phone

### Normal operation:

#### Step1:

Press the "call key" while the outdoor camera is in standby mode, the power indicator light becomes red.

#### Step2:

- a) If indoor monitor didn't receive any signal, outdoor camera sound 'Di...' four times instead of sounding 'Du...' and returns to standby mode
- b) If indoor monitor received signal, video will be shown on the screen, power indicator light become red and sounds the ring have selected, outdoor camera always sounds 'Du...'

#### Step3:

- a) If no one answers the call, indoor monitor will return to standby mode after 60 seconds.
- b) If answer the call, ring will stop and indoor monitor enters into call status (indoor monitor power indicator light turns to green), conversation can continues about 2 minutes.

Step4: Press 'unlock key' during the call indoor monitor display 'unlock' remind to unlock (three kinds of unlock time, more information please see unlock time setting). Press 'Monitor key' to open night vision.

Step 5: Press 'Talk Key' during the call indoor monitor will hang up, both indoor monitor and outdoor camera enter into standby mode.

Remark: When indoor monitor crashes in accident and press keys on panel useless, please press the "reset" key. The role of "reset" is equivalent to unplug the battery to re-power on.

## MB-8823 Wireless Video Door Phone

- Clear Code

Select "Match Code", presses "Talk Key" to confirm, enter into Matching Code status.

#### Step 2:

When any outdoor camera in standby mode, press the 'Call Key' till the indicator light is red and sounds one 'Du...'. Then outdoor camera enters into Configure Code status.

#### Step 3:

If Configure Code successful within 8 seconds indoor monitor screen displays 'succeed', outdoor camera sounds 'Du...' three times. (this moment Configure Code successful equipments are No.1 indoor monitor and No.1 outdoor camera). If Configure Code failed in 8 seconds, indoor monitor showing 'failed' on the screen, no presentation on outdoor camera.

#### Remark:

1. If Configure Code failed, have to redo as stated steps.
2. Users can firstly clear the code for indoor monitor and outdoor camera when the configure code failed

### Give code, Receive Code

- Match Code
- Give Code
- Receive Code
- Clear Code

Give Code, Receive Code: Indoor monitor Give Code, Outdoor camera Receive Code,

Give code and Receive Code must be continuous.

Indoor monitor Give Code. Receive Code: If Configure Code successful in step 1, we call it as the NO.1 indoor monitor, the other one as NO.2 indoor monitor which no Configure the Code.

## MB-8823 Wireless Video Door Phone

- NO.1 Monitor Choose: ● Give Code
- NO.2 Monitor Choose: ● Receive Code

Press "Call Key" to confirm

### Receive Code Success:

The NO.2 indoor monitor sound "Di" for two times, LCD screen show "succeed"

### Receive Code Failed:

The NO.2 indoor monitor sound "Di" for one time, LCD screen show "Failed" and exit receive code, and then back into last submenu.

### Indoor monitor Give Code, Outdoor Camera Receive Code:

Indoor monitor choose ● Give Code

Long press "CALL Key" until the red indicator light and sound "Di" for one time, don't lose, Keep pressing "Call Key" until sound "Di" for two times, it will enter into Receive Code Status. If receive code is success, the indoor monitor will sound "Di" for two times.

### Indoor Monitor Clear Code:

- Indoor monitor choose**
- Clear Code
- And then choose**
- Clear
  - Back

Long press "Talk Key" about 3 seconds. Clear Code Success, back into last menu.

## MB-8823 Wireless Video Door Phone

### Outdoor camera Clear Code:

Keep pressing the "Clear code Key" (In the back of outdoor camera), then plug into the electricity, sound one "Di", clear code success.

**Strongly Remark: If Match Code, Give Code, Receive Code failed, please clear code for the camera and monitor, and then redo the process as described above.**

### Configure Code:

Step 1: Long press the 'Talk Key' and 'monitor key' while indoor monitor is in on mode till the screen displays the words 'configure code', then indoor monitor is on the status of Configure Code.

Step 2: When any outdoor camera in standby mode, press the 'Talk Key' till the indicator light is red and sounds 'Du...'

Then outdoor camera enters into Configure Code status.

Step 3: If Configure Code successful within 8 seconds indoor monitor screen displays 'succeed', outdoor camera sounds 'Du...' three times. (this moment Configure Code successful equipments are No.1 indoor monitor and No.1 outdoor camera). If Configure Code failed in 8 seconds, indoor monitor showing 'failed' on the screen, no presentation on outdoor camera.

Remark: If Configure Code failed, have to redo as stated steps.

### Indoor Monitor Ring Setting

Total 12 bell rings. Long press the key 'lightness/Voice+' (ring selection key) till it rings then indoor monitor goes to the ring setting system. Select music by clicking the 'lightness/Voice +' key, click the 'Talk Key' to confirm the ring you selected or to exit automatically when the music is over.